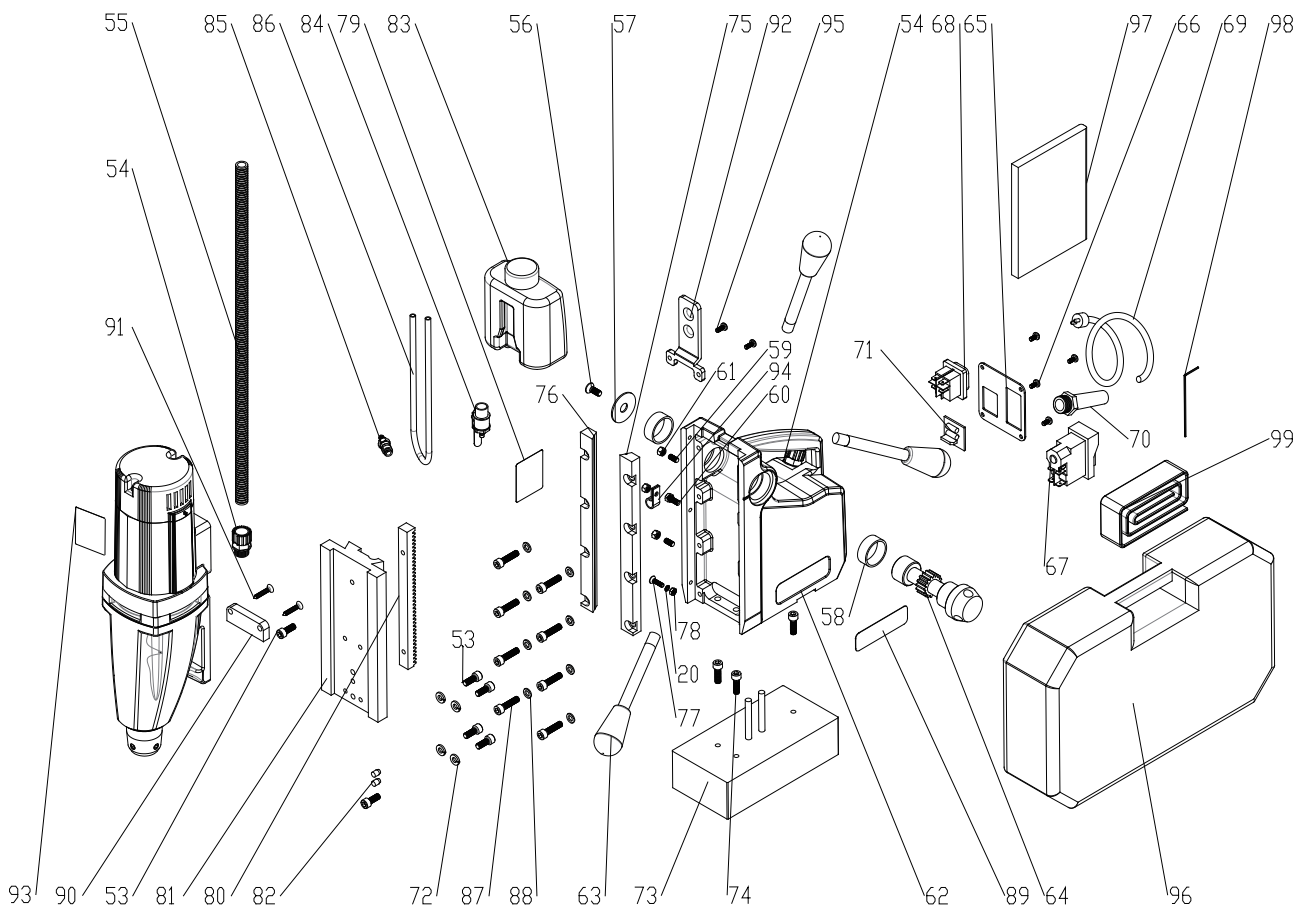
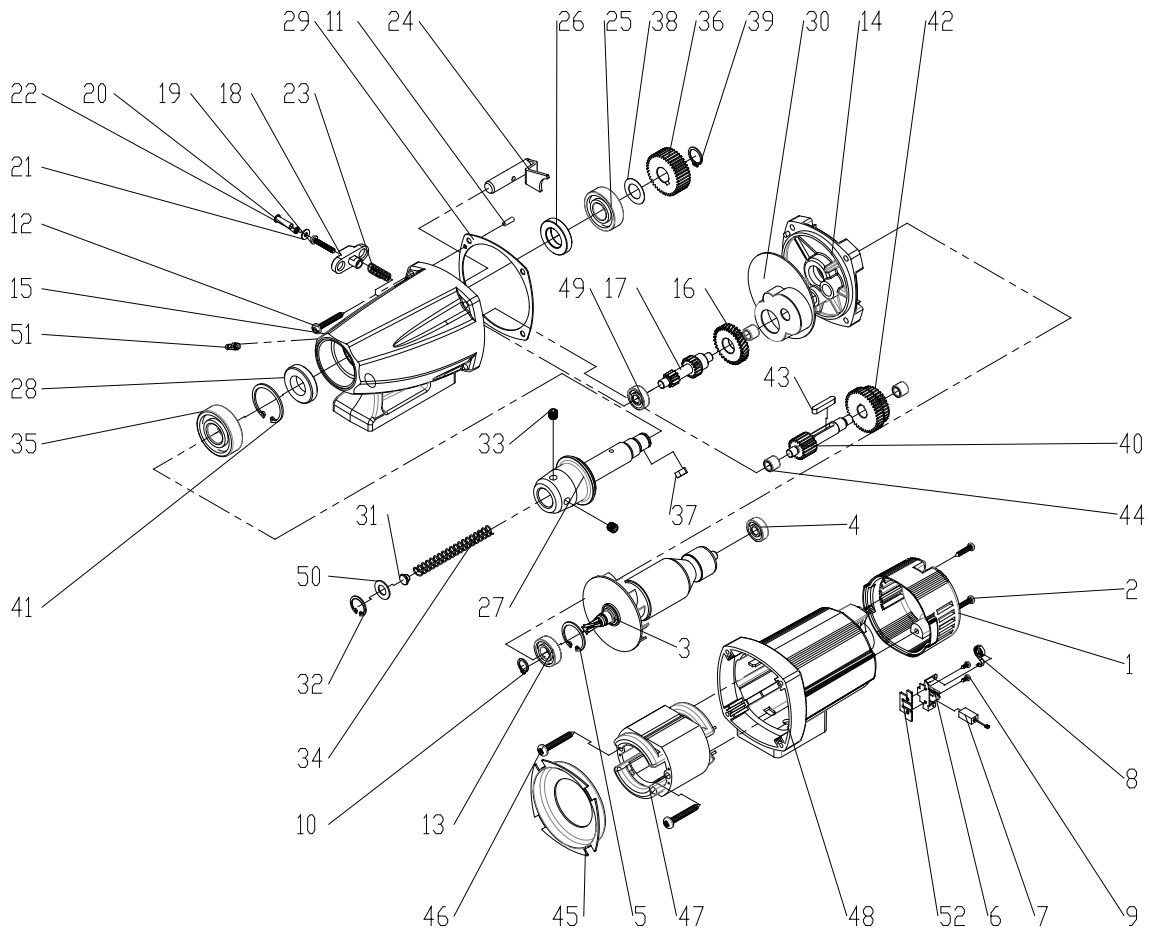


MagPro 40 2S



MagPro 40 2S | 490142NA

ITEM	PART NO	Q'TY	PART NAME		Price in \$ excl. VAT
1	MA402S01	1	MOTOR COVER	PA6-GF35 Black	\$ 8.98
2	MA402S02	2	Self Tapping Screw	TS4*18	\$ 0.49
3	MA402S03UK	1	Armature	(115V)	\$ 216.48
3	MA402S03	1	Armature	(230V)	\$ 216.48
4	MA402S04	1	Ball Bearing	608ZZ	\$ 28.41
5	MA402S05	1	Circlip Ring	28X1.2 (DIN 472)	\$ 1.23
6	MA402S06	2	Brush Holder		\$ 8.86
7	MA402S07UK	2	Carbon Brush	(115V)	\$ 28.41
7	MA402S07	2	Carbon Brush	(230V)	\$ 28.41
8	MA402S08	2	Brush Spring		\$ 2.95
9	MA402S09	4	Self Tapping Screw	TS3X8	\$ 0.37
10	MA402S10	1	Circlip Ring	C-11	\$ 0.49
11	MA402S11	1	Screw	M4*12	\$ 2.09
12	MA402S12	4	Self Tapping Screw	TS4.8X40	\$ 0.74
13	MA402S13	1	Ball Bearing	6001ZZ	\$ 28.41
14	MA402S14	1	Gear Box Cover		\$ 161.62
15	MA402S15	1	Gear Box		\$ 437.63
16	MA402S16	1	First Gear	33Teeth	\$ 94.96
17	MA402S17	1	FIRST GEAR SHAFT	17/11Teeth(Two Spee	\$ 103.44
18	MA402S18	1	Speed Selector Knob		\$ 2.21
19	MA402S19	1	Screw	M4*25	\$ 1.85
20	MA402S20	2	External Tooth Washer	φ4	\$ 0.37
21	MA402S21	1	Flat Washer	φ4	\$ 0.37
22	MA402S22	1	Hollow Rivet	5*18L	\$ 5.66
23	MA402S23	1	Spring	φ0.7*φ6.8*13	\$ 2.95
24	MA402S24	1	Speed Selector Shaft		\$ 11.69
25	MA402S25	1	Ball Bearing	6203 LLU	\$ 28.41
26	MA402S26	1	Shaft Sealing Ring	20*35*7	\$ 28.41
27	MA402S27	1	Spindle 1835	φ20 X 132.2mm	\$ 263.96
28	MA402S28	1	Shaft Sealing Ring B	20*37*8	\$ 28.41
29	MA402S29	1	Gear Box Gasket		\$ 4.06
30	MA402S30	1	Grease Separator Plate		\$ 4.31
31	MA402S31	1	Spring Bracket	φ10.4*φ6.3*6	\$ 5.29
32	MA402S32	1	Circlip Ring	C19	\$ 0.86
33	MA402S33	2	Set Screw	M8*8	\$ 2.58
34	MA402S34	1	Compression Spring	φ10.1*φ1*98	\$ 5.17
35	MA402S35	1	Ball Bearing	6204 LLU	\$ 30.50
36	MA402S36	1	Spindle Gear	40 Teeth	\$ 94.96
37	MA402S37	1	Square Key	5*5*10	\$ 1.48
38	MA402S38	1	Flat Washer	φ15xφ26x0.15t	\$ 0.62
39	MA402S39	1	Circlip Ring Shaft	15X1 (DIN 471)	\$ 0.62
40	MA402S40	1	Second Gear	18Teeth	\$ 84.13
41	MA402S41	1	External Retaining Ring	37X1.5 (DIN 471)	\$ 1.97
42	MA402S42	1	Second Gear	34/40Teeth (Two Spei	\$ 134.69
43	MA402S43	1	Square Key	5*5*28	\$ 3.69
44	MA402S44	3	Roller Bearing	HK-0810	\$ 10.58
45	MA402S45	1	Fan Guide		\$ 4.43
46	MA402S46	2	Self Tapping Screw	TS5*65	\$ 2.95
47	MA402S47UK	1	Field Assembly	110V	\$ 163.10
47	MA402S47	1	Field Assembly	220V	\$ 163.10
48	MA402S48	1	Motor Housing		\$ 35.79
49	MA402S49	1	Ball Bearing	608	\$ 10.82
50	MA402S50	1	Washer	18.9*10*1T	\$ 0.62
51	MA402S51	1	PU Tube Fitting	φ4.8Xφ6X18	\$ 28.41
52	MA402S52	2	Brush Holder Bakelite	1.5mm Bakelite	\$ 2.58
53	MA402S53	6	Hex Socket Head Screw	M6*16	\$ 1.72
54	MA402S54	2	Tube Fitting	PG9	\$ 28.41
55	MA402S55	1	Cable Protection Tube	φ13*φ9*470mm	\$ 28.41

MagPro 40 2S | 490142NA

56	MA402S56	1	Hexagon Socket Head Cap Screw	M6*16 (ISO 7047)	\$	1.48
57	MA402S57	1	Washer	φ10.5 x φ35 x 1.5	\$	2.09
58	MA402S58	2	Bushing	φ28 x φ32 x 12	\$	6.64
59	MA402S59	2	Hex Socket No Head Screw	M5x12	\$	0.86
60	MA402S60	1	Hex Socket No Head Screw	M5x16	\$	0.98
61	MA402S61	4	Hex Nut	M5	\$	1.23
62	MA402S62	1	Guide Rail Housing		\$	561.87
63	MA402S63	3	Height Adjust Handle		\$	27.43
64	MA402S64	1	Height Adjustment Shaft		\$	108.98
65	MA402S65	1	Switch Holding Plate		\$	8.00
66	MA402S66	4	Screw	M4*8	\$	0.86
67	MA402S67UK	1	Motor Switch	110v	\$	102.83
67	MA402S67	1	Motor Switch	220v	\$	102.83
68	MA402S68	1	Magnet Switch		\$	28.41
69	MA402S69UK	1	Cable	110V (SJ)	\$	89.54
69	MA402S69	1	Cable	230V (VDE)	\$	89.54
70	MA402S70	1	Cable Protector	PG11	\$	28.41
71	MA402S71	1	Control Board	6 Terminals (110V+22	\$	120.29
72	MA402S72	4	Spring Washer	S6(T=1mm)	\$	1.23
73	MA402S73UK	1	Magnet	220V	\$	676.23
73	MA402S73	1	Magnet	115V	\$	676.23
74	MA402S74	3	Hex Head Socket Screw	M6x20	\$	1.72
75	MA402S75	1	Adjustment Rail (R)	12*228mm	\$	51.41
76	MA402S76	1	Adjustment Rail (L)	12*228mm	\$	51.41
77	MA402S77	1	Flat Head Screw	M4X16	\$	1.48
78	MA402S78	2	Hex Nut	M4	\$	1.23
79	MA402S79	1	Warning Label		\$	12.92
80	MA402S80	1	Rack	M1.5X37 Teeth 180M	\$	116.11
81	MA402S81	1	Dovetail Rack	85MM X 200MM	\$	181.55
82	MA402S82	2	Set Pin	6 pcs M6 x 10 (DIN 63	\$	2.21
83	MA402S83	1	Coolant Tank		\$	28.41
84	MA402S84	1	Control Valve		\$	33.21
85	MA402S85	1	Quick Set Coupling		\$	28.41
86	MA402S86	1	PU Clear Tube	φ6Xφ4X300mm	\$	8.00
87	MA402S87	8	Hex Socket Head Screw	M6x25(Head Height 4	\$	3.57
88	MA402S88	8	Flat Washer	φ6.4Xφ11X 1.6	\$	1.48
89	MA402S89	1	Label	MagPro-230V	\$	7.13
90	MA402S90	1	Wire Cover		\$	7.13
91	MA402S91	2	Flat Head Self Tapping Screw	M4*25	\$	1.97
92	MA402S92	1	Coolant Tank Set Plate		\$	9.84
93	MA402S93	1	Speed Label	MagPro-230V	\$	1.72
94	MA402S94	1	Coolant Hose Guide		\$	0.86
95	MA402S95	2	Screw	M4*10	\$	1.11
96	MA402S96	1	Carrying Case	ACC3-B	\$	203.07
97	MA402S97UK	1	Instruction Manual	115V	\$	2.95
97	MA402S97	1	Instruction Manual	220V	\$	2.95
98	MA402S98	1	Hexagonal Wrench	4MM	\$	2.09
99	MA402S99	1	Safety Latching Strap		\$	58.06